



RECKLI 2/100 YEAR

A functional formliner in the shape of the year.

DIMENSIONS

Series	Uses	Dimensions (mm)	Order Number
C	100	▲ 255 ^{fix} × ► 445 ^{fix}	C 2100
A	50	-	
E	10	-	

flex

Formliners labeled as Flex specify the maximal dimensions that they are available in. Any dimension below this value can be chosen freely.

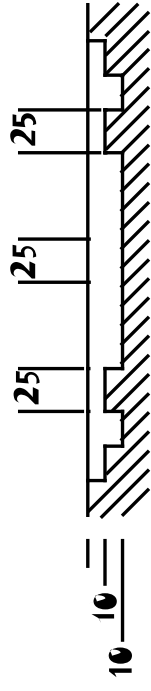
fix

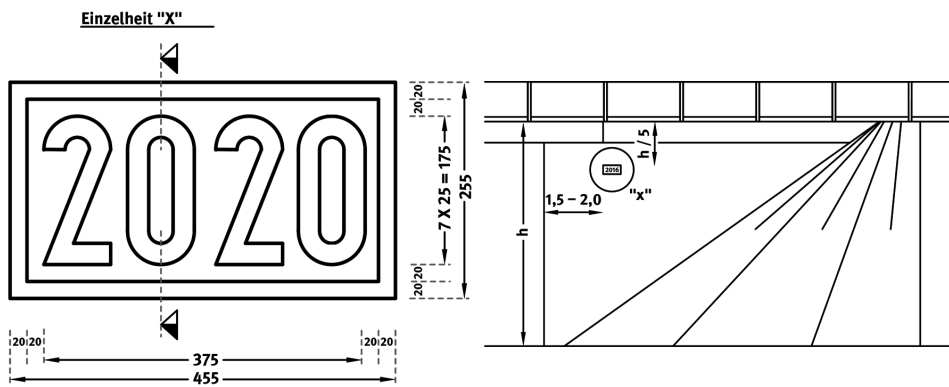
The formliners labeled as Fix can only be delivered in the specified dimension.

uses

We guarantee 100 uses for molds of series C, 50 uses of series A, 10 uses of series E.

Schnitt
A - A





RECKLI HEADQUARTERS

Do you have a question about our products
and would like to get in touch? You can call us
on the following number:

+49 2323 1706-0

RECKLI GmbH
Gewerkenstr. 9a
44628 Herne
Germany
Fax: +49 2323 1706-50
Mail: info@reckli.com
www.reckli.com