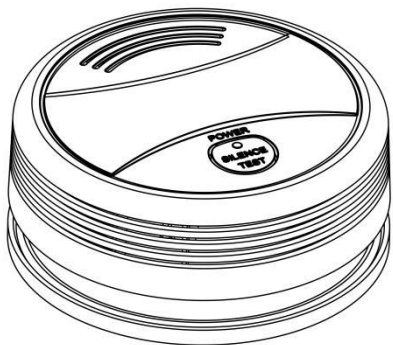


User manual



Intelligent WiFi

Strobe Smoke Detector

This WiFi strobe smoke detector is the device which can detect smoke occurred at the beginning of a fire disaster and generates live strobe & sound alarm, at the same time, push alarm information to mobile app by WiFi.

1、 Technical Parameter

- Power supply : DC9V alkaline battery (6LR61)
- Static current : <10uA
- Alarm current: <100mA
- Working temperature : 0°C ~ +50°C
- Humidity : ≦95%RH , no freezing
- Alarm sound : >80dB
- Low battery alert : ≦7.0V±0.2V

2、 Working status

| Status                  | Led light   | Alarm sound        |
|-------------------------|---|--------------------|
| Normal state            | Led light flashes once every 60s                                  | none               |
| Test state              | Led light flashes continuously and quickly (on: 100mA, off:100mA) | Quick "beep" sound |
| Smoke alarm state       | Led light flashes continuously and quickly (on: 100mA, off:100mA) | Quick "beep" sound |
| Mute alarm state        | Led light flashes continuously and quickly (on: 100mA, off:100mA) | none               |
| Low battery             | Led light flashes once every 60s                                  | 60s "beep" sound   |
| WiFi connection succeed | Led light keeps on for 10s  | none               |
| WiFi configuring        | Led light flashes continuously and quickly(twice every second)    | Short "beep" sound |

3、 Mute & Testing

- Mute: in alarm status, press the 'TEST' button to mute the buzzer, only LED indicator flashes.
- Testing: in normal status, long press 'TEST' button for 2s to trigger the sound & light alarm, alarm message is pushed to the mobile APP.

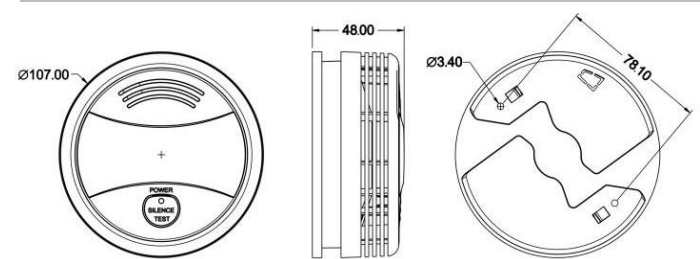
4、 WiFi Configuration & Networking

WiFi configuration:

1. Install 'Tuya Smart' APP on your smartphone the first time you use the detector.
2. Make sure your smartphone is connected to the WiFi.
  - a) Launch the APP, click 'Add device'---'Security Sensor'---'Sensor (WiFi)'.
  - b) Long press the 'TEST' button for 5s until LED flashes with a short beep of 'Di' (long press the button within 20s of loading the battery to enter WiFi configuration mode).
  - c) Click 'OK' in the APP---input password for the WiFi an click 'OK', the detector enters configuration mode which lasts for 60s maximum.
3. A long beep of 'Di' with LED indicator on for 10s means the WiFi configuration is completed. When WiFi configuration fails, the detector exits configuration mode with short beep of 'Di Di Di'.
4. WiFi configuration is done based on the 3 steps above.

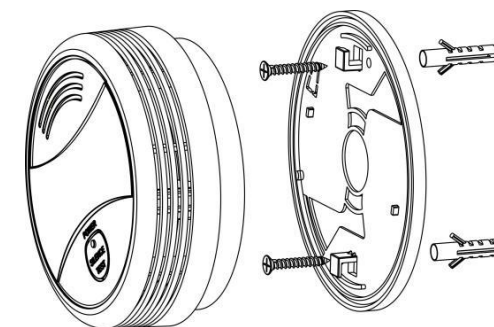
**WiFi Networking Status:** when LED indicator is on for 10s after battery is loaded, it means the detector is successfully connected to WiFi.

5、 Installation



Installing method

- a. Make a hole on the ceiling by using the percussion drill
- b. Install the expansion tube on the ceiling
- c. Fix the installation board by using the screw
- d. Aiming the alarming device with the installing board and connect them, rotating clockwise till heard the "kaca" sound, means installing correctly.



Installing attention

- a. Indoor stalling only
- b. Keep 50cm between the device with the illumination lamp
- c. Keep away from the bathroom and watery place
- d. Keep away from the place non fire smoke and steam.
- e. Keep away the place below 0°C or above 50°C
- f. While the cupboard near the ceiling, keep the device 60cm away from the cupboard.
- g. Keep the device 150cm away from the ventilator, air conditioner and air vent.
- h. If battery missed, the device cannot connect with installing board

6、 Maintain

- Trouble happened while testing, please check immediately or send back to manufacture.
- Battery life can be used for 1 year in the normal environment, age will be reduces in the high temperature and high humid environment.
- Please ensure all the function be normal before installing, please keep in the safety place and avoid the dust, humid and corrosion.